

## CABLE DUCTS

Name: FU 15	Compression strength: 450 N
Colour: orange	Impact resistance: 5 Kg at -5°C
Material: high-density polyethylene	Application field: electrical installations and/or data transmission
Length supplied: 50-25 m rolls depending on diameter	Installation type: underground
Standard: EN 50086-1 (CEI 23-39) e EN 50086-2-4+V1 (CEI 23-46)	

The minimum curve radius obtainable with the cable ducts of the FU 15 Range is equal to 8 times the external diameter of the cable duct.

## THERMOPLASTIC WELLS

Name: PZ	Application field: especially suitable for horizontal systems and earth connections in electrical and buried telecommunications systems
Colour: grey	Installation type: underground
Material: thermoplastic	

## LOAD RESISTANCE

VERSION	SIZE	BREAKING LOAD* (kg/cm <sup>2</sup> )
Square	200 x 200 x 200	7.4
Square	300 x 300 x 300	4.8
Square	400 x 400 x 400	2
Square	550 x 550 x 480	2.7
Rectangular	360 x 260 x 320	7.7

\*The load breaking values refer to closed heavy-duty covers.

It is advisable to firmly anchor the wells to the ground. Prepare a concrete bed of at least 10 cm and cover the rest in earth and cement taking care to avoid height differences between the well cover and the ground surface.

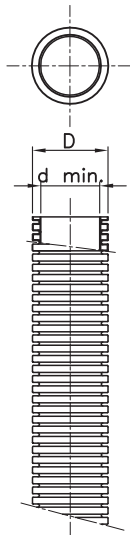
# FU AND PZ RANGE

CABLE DUCT AND WELL SYSTEMS



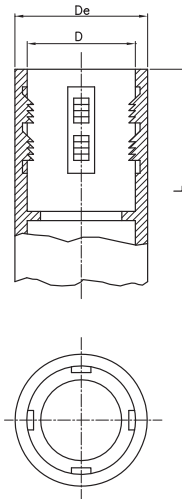
## DIMENSIONAL TABLES

### FU15 - CABEL DUCTS



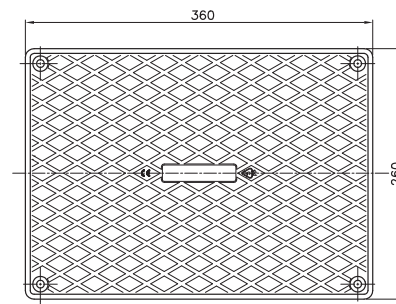
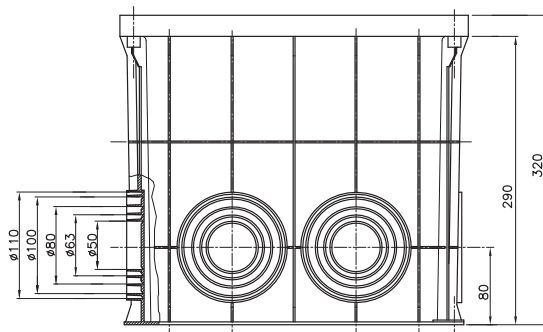
FU15 CODE	CABLE DUCTS Ø (mm)	D	d. min.
DX 35 000	40	40	$\frac{+0.6}{0}$ 30
DX 35 001	50	50	$\frac{1}{0}$ 38
DX 35 002	63	63	$\frac{1.2}{0}$ 46
DX 35 003	75	75	$\frac{+1.4}{0}$ 57
DX 35 004	90	90	$\frac{+1.7}{0}$ 68
DX 35 005	110	110	$\frac{+2}{0}$ 86
DX 35 006	125	125	$\frac{+2.3}{0}$ 98
DX 35 007	140	140	$\frac{+2.6}{0}$ 112
DX 35 008	160	160	$\frac{+2.9}{0}$ 126
DX 35 009	200	200	$\frac{+3.6}{0}$ 150

### FUM - JUNCTION COUPLINGS

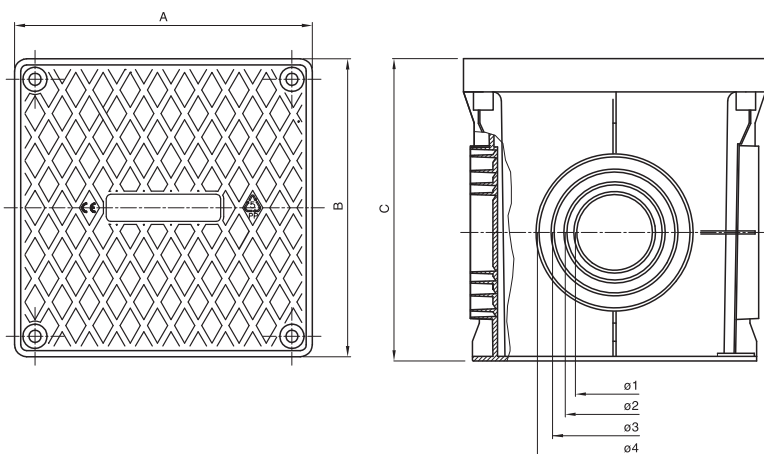


CODE	FOR CABLE DUCTS Ø (mm)	D	De	L
DX 58 200	40	40.5	43	85
DX 58 201	50	50.5	53	100
DX 58 202	63	63.5	66	110
DX 58 203	75	75.5	78	140
DX 58 204	90	90.5	93	150
DX 58 205	110	110.5	113	185
DX 58 206	125	125.5	128	225
DX 58 207	140	140.5	143	245
DX 58 208	160	160.5	163	280
DX 58 209	200	200.5	203	320

### RECTANGULAR WELLS - DX 59501



### SQUARE WELLS



Ø											
A	B	C	1	2	3	4	5	6	7	8	
200	200	200	63	80	100	125					
300	300	300	63	80	100	125	140				
400	400	400	63	80	100	125	140	160		250	
550	550	480						160	200	250	315

FU AND PZ RANGE